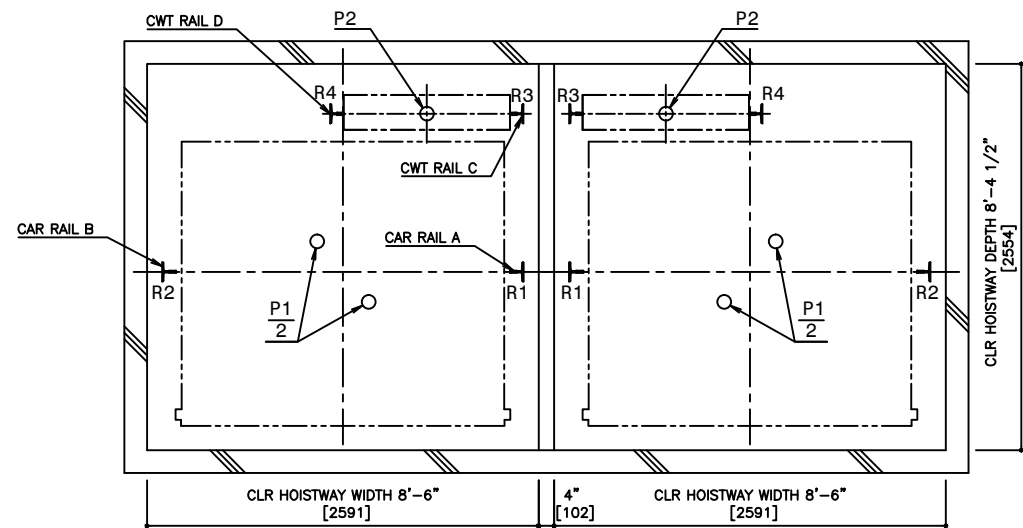
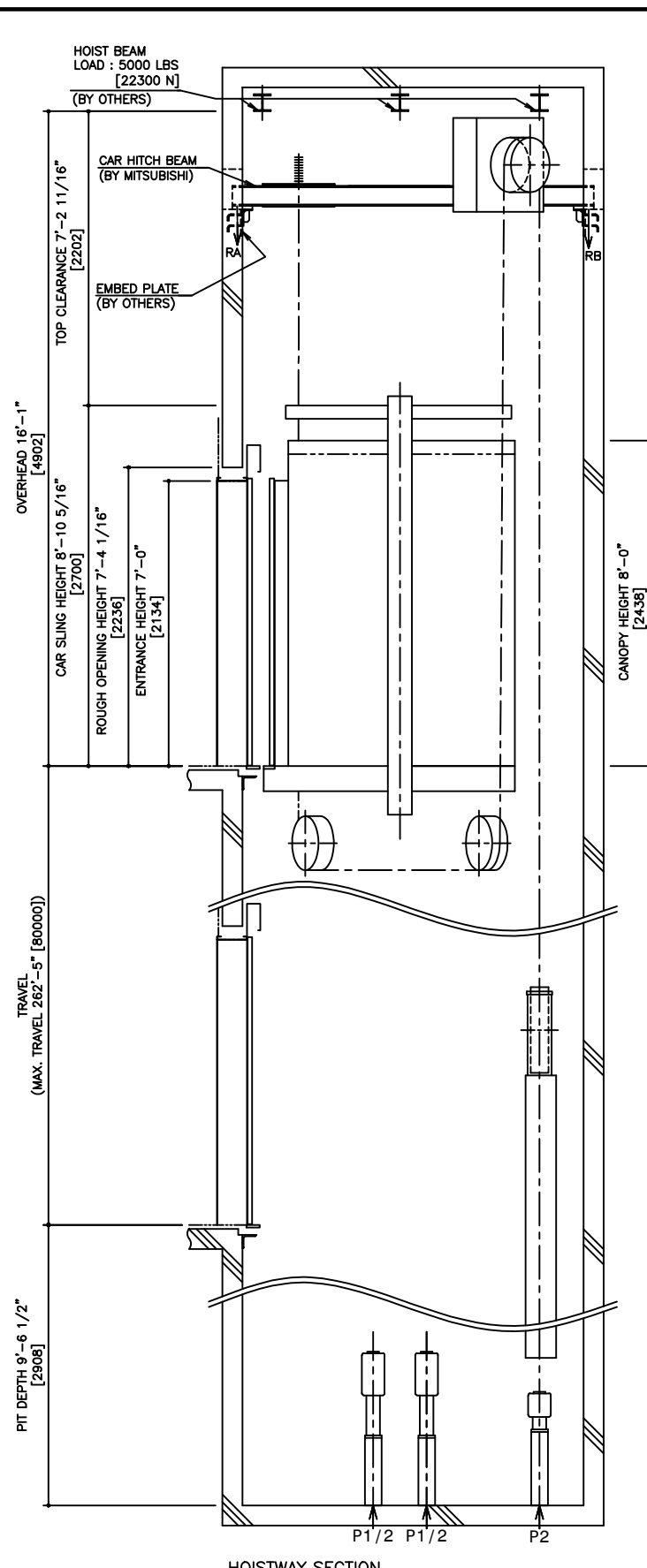


HOISTWAY PLAN WITH CWT SAFETY

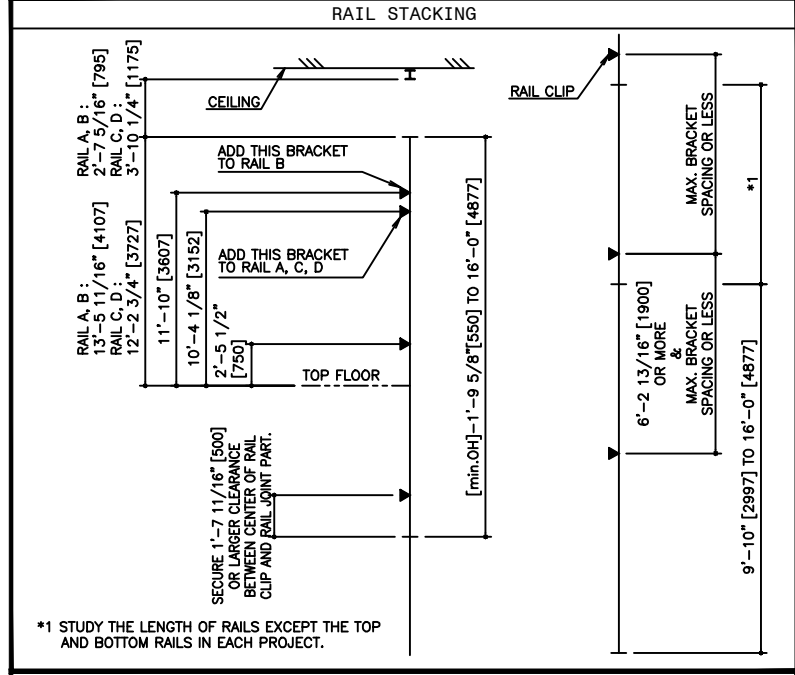


PIT PLAN WITH CWT SAFETY



HOISTWAY SECTION WITH CWT SAFETY

| SPECIFICATIONS | | | |
|-------------------|------------------------------|-------------|----------|
| SERIES | DIAMOND TRAC | | |
| LOAD | 3500 LBS [1588 kg] | | |
| SPEED | 500 FPM [150 m/min] | | |
| REGULATION / CODE | ASME A17.1 - 2010 | | |
| TRAVEL | MAX. TRAVEL : 262'-5" [80 m] | | |
| DOOR TYPE | CO | | |
| GUIDE RAIL | CAR | ZONE 0 TO 2 | T127-1/B |
| | CWT | ZONE 3 & 4 | T127-2/B |
| CWT SAFETY | CAR | ZONE 0 TO 2 | T127-1/B |
| | CWT | ZONE 3 & 4 | T127-2/B |
| APPLIED | | | |



| RAIL BRACKET SPACING | | | | |
|--------------------------|------------------------|--------------------|-----------------------|-------------------|
| SEISMIC ZONE (RAIL SIZE) | ZONE 0 TO 2 (T127-1/B) | | ZONE 3 & 4 (T127-2/B) | |
| | CAR | CWT | CAR | CWT |
| RAIL BRACKET SPACING | 13'-1 7/16" [4000] | 13'-1 7/16" [4000] | 11'-7 3/4" [3550] | 11'-7 3/4" [3550] |

| RAIL REACTION LOAD | | | | |
|--------------------------|--------------------|-------------------|--------------------|-------------------|
| SEISMIC ZONE (RAIL SIZE) | CAR RAIL A, B | | CWT RAIL C, D | |
| | F1X | F1Y | F1X | F1Y |
| ZONE 0 TO 2 (T127-1/B) | 1500 LBS [6500 N] | 800 LBS [3400 N] | 1600 LBS [7100 N] | 800 LBS [3600 N] |
| ZONE 3 & 4 (T127-2/B) | 3000 LBS [13000 N] | 1500 LBS [6500 N] | 3200 LBS [14200 N] | 1600 LBS [7100 N] |

| CAR HITCH BEAM LOAD | | | |
|---------------------|-------------------|--------------------|--------------------|
| STATIC LOAD | | DYNAMIC LOAD | |
| RA | RB | RA | RB |
| 4500 LBS [20000 N] | 1200 LBS [5000 N] | 9300 LBS [41000 N] | 2300 LBS [10000 N] |

| SEISMIC ZONE (RAIL SIZE) | RAIL REACTION LOAD | | | | BUFFER REACTION LOAD | |
|--------------------------|---------------------|---------------------|---------------------|---------------------|----------------------|----------------------|
| | R1 | R2 | R3 | R4 | P1 | P2 |
| ZONE 0 TO 2 (T127-1/B) | 14400 LBS [64000 N] | 14000 LBS [62000 N] | 12900 LBS [57000 N] | 12000 LBS [53000 N] | 40500 LBS [181000 N] | 33300 LBS [149000 N] |
| ZONE 3 & 4 (T127-2/B) | 15300 LBS [68000 N] | 15100 LBS [67000 N] | 14000 LBS [62000 N] | 12900 LBS [57000 N] | | |

| POWER FEEDER DATA 1CAR | | | | | | | | | | | | |
|------------------------|-----------------------|--------------------------|-----------|---------|--------------------------|------|-----------------------|--------------------------------|---------------|--------------------|-------|------|
| MOTOR | STANDARD VOLTAGE 208V | | | | STANDARD VOLTAGE 480V | | | | HEAT EMISSION | | | |
| | CURRENT | BREAKER IN CONTROL PANEL | | CURRENT | BREAKER IN CONTROL PANEL | | POWER SUPPLY CAPACITY | HOISTWAY (EXCEPT CAR LIGHTING) | | CONTROL PANEL ROOM | | |
| [HP] | [kW] | FLU [A] | FLAcc [A] | FLU [A] | FLAcc [A] | [A] | [kVA] | [BTU/h] | [W] | [BTU/h] | [W] | |
| 33.5 | 25 | 110.0 | 195.7 | 125 | 47.7 | 84.9 | 60 | 24 | 4440 | 1300 | 12450 | 3650 |

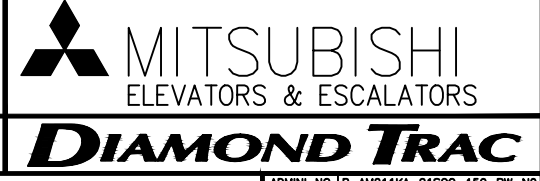
POWER CURRENT CORRESPONDING TO LOCAL SUPPLY VOLTAGE (FLU or FLAcc) [A]
 = EACH CURRENT (FLU or FLAcc)[A] x STANDARD VOLTAGE (E1 or E2)[V]
 LOCAL SUPPLY VOLTAGE (E) [V]

DISCLAIMER:
 THESE CAD DRAWINGS SHOULD BE USED FOR REFERENCE ONLY. MEUS DISCLAIMS ALL RESPONSIBILITY FOR ANY REPRODUCTION, MODIFICATION, DISTRIBUTION OR INTEGRATION OF THESE CAD DRAWINGS INTO OTHER ARCHITECTURAL AND STRUCTURAL DRAWINGS. MEUS MARKETS NO WARRANTIES OF ANY KIND WITH RESPECT TO THE ACCURACY OR COMPLETENESS OF THESE CAD SCHEMATIC DRAWINGS FOR ANY PURPOSE. MEUS HEREBY EXPRESSLY DISCLAIMS ALL WARRANTIES, EXPRESSED OR IMPLIED, INCLUDING THE IMPLIED WARRANTIES OF MERCHANTABILITY AND FITNESS FOR A PARTICULAR PURPOSE.
 Copyright (c) 2005 Mitsubishi Electric & Electronic USA, Inc. All rights reserved.

NOTE :
 -WHEN THE CANOPY HEIGHT IS CHANGED FROM THE DIMENSION ON THIS DRAWING, OVERHEAD AND THE BRACKET SPAN FOR UPPER RAILS SHALL BE CHANGED AS WELL.
 -IF ASME A17.1-2004 APPLIES, ADD 2"[51] TO OVERHEAD AND TOP CLEARANCE.

| NO. | DATE | BY | REVISIONS |
|-----|---------|----|-----------------|
| - | 8/12/15 | - | CREATED DRAWING |

PROJECT: -
 ELEV. NO.: -
 DWG. TITLE: -
 ADMIN. NO.: -
 DWG. NO.: EZ-B-0240
 REV.



SCALE : 1/50

NOT TO BE USED FOR CONSTRUCTION