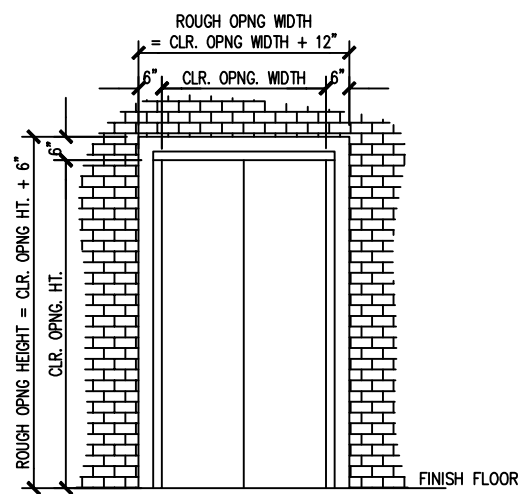


SAFETY BEAM 5000 LBS. CAPACITY (BY OTHERS) CENTERED OVER RAILS AT TOP OF HOISTWAY. MAY REQUIRE REMOVAL LATER FOR LEGAL OVERHEAD.

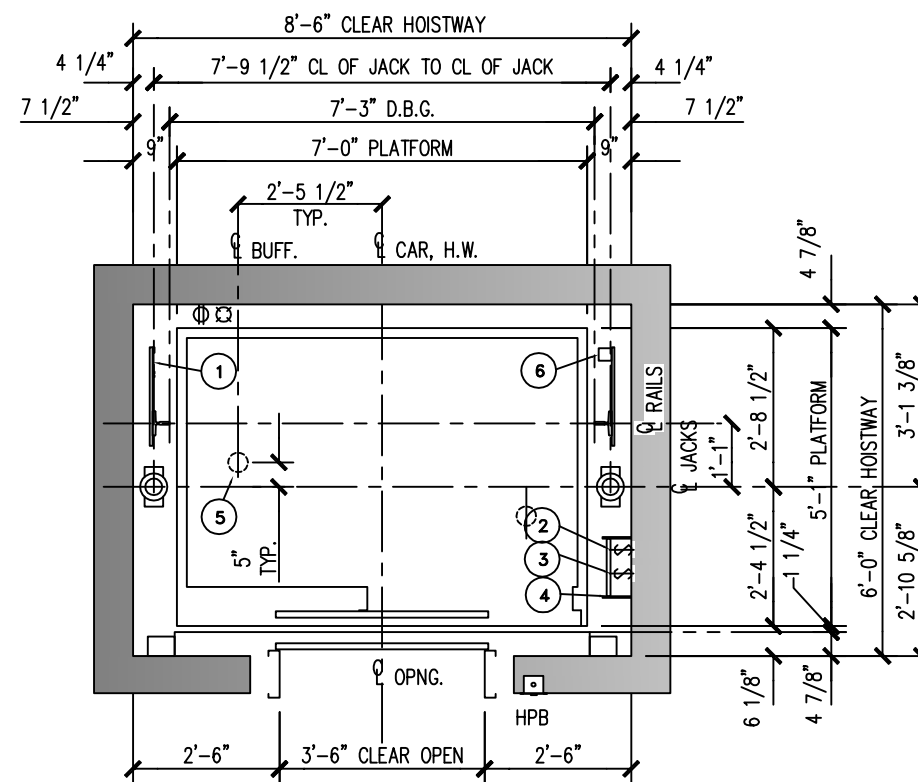
SEE HOLELESS ELEVATOR MIN OVERHEAD MATRIX.

CONSULT LOCAL SALES OFFICE IF TRAVEL > 15 FT.

HOISTWAY SECTION



ROUGH OPENING FOR ENTRANCE INSTALLATION CMU, CONCRETE CONSTRUCTION ONLY; ROUGH OPENING IS NOT REQUIRED FOR DRY WALL CONSTRUCTION



HOISTWAY PLAN

- ① TAPE SELECTOR
- ② LIGHT SWITCH-18" ABOVE LOWEST LANDING (BY OTHERS)
- ③ PIT STOP SWITCH
- ④ PIT LADDER (BY OTHERS)
- ⑤ SPRING BUFFERS LOCATED ON PIT FLOOR
- ⑥ LIMIT SWITCH

PLEASE NOTE THAT THESE RAIL REACTION NUMBERS ARE ESTIMATES AND ARE SUBJECT TO CHANGE AS ACCURATE INFORMATION BECOMES AVAILABLE.

SPECIFICATION			
USAGE	PASSENGER		
LOADING CLASS	A		
CAPACITY (LBS.)	2500		
RATED SPEED (FPM)	100,125		
RISE	MAX. 15'-0"		
RAIL REACTION (SEISMIC)			
	MAX. RAIL BRKT SPAN	14'-0"	
	R1 (LBS.)	1386	
	R2 (LBS.)	693	
	MAX. RAIL BRKT SPAN (DSA)	9'-0"	
	R1 (LBS.)	1275	
	R2 (LBS.)	637	
REV.	DATE	BY	REVISIONS
NOTE:		<input type="checkbox"/> FOR APPROVAL <input type="checkbox"/> REVISED FOR APPROVAL <input type="checkbox"/> FINAL DISTRIBUTION <input type="checkbox"/> REVISED FINAL DISTRIBUTION	
PROJECT: -----			
ADDRESS: -----			
CONTRACTOR: -----			
ARCHITECT: -----			
CONSULTANT: -----			
DRAWN: HW		DATE: 4/26/19	APPROVED: HW
DWG. TITLE: HOISTWAY PLAN & SECTION			
PROJECT NO.: -----			ELE#: 1
MITSUBISHI ELECTRIC ELEVATORS & ESCALATORS			DRAWING NO.: 101