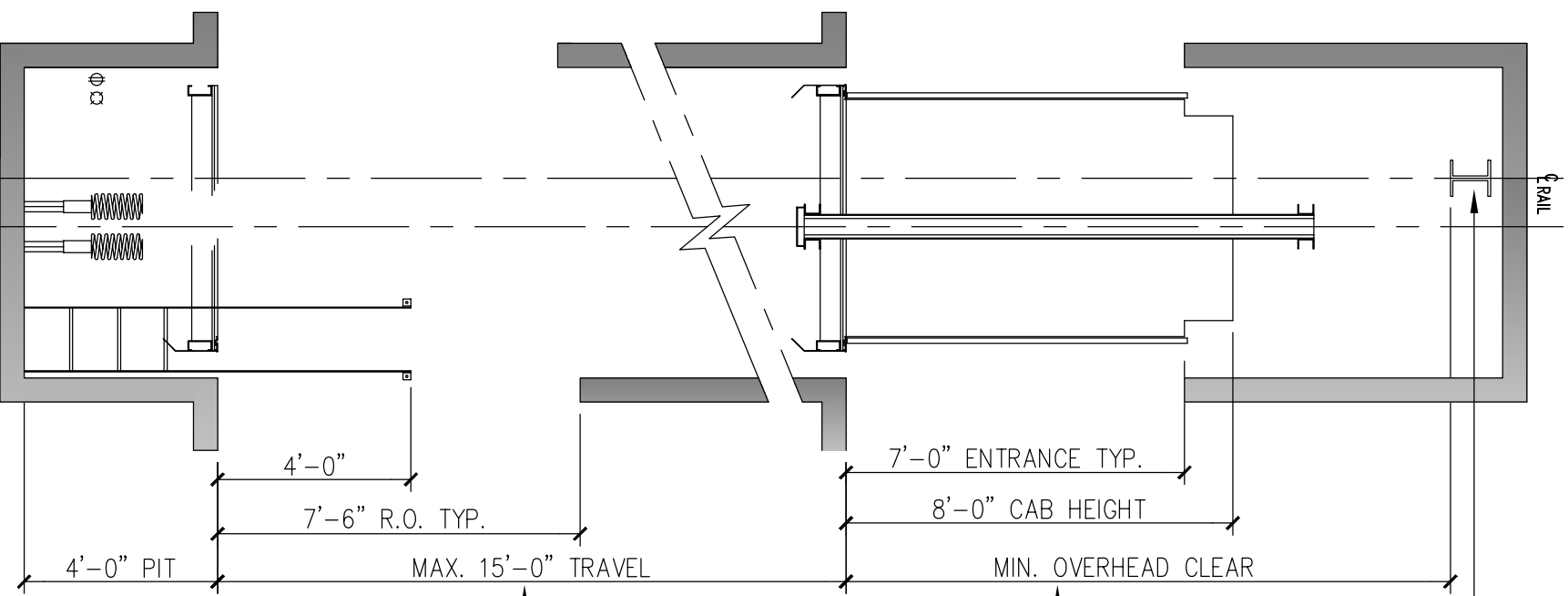


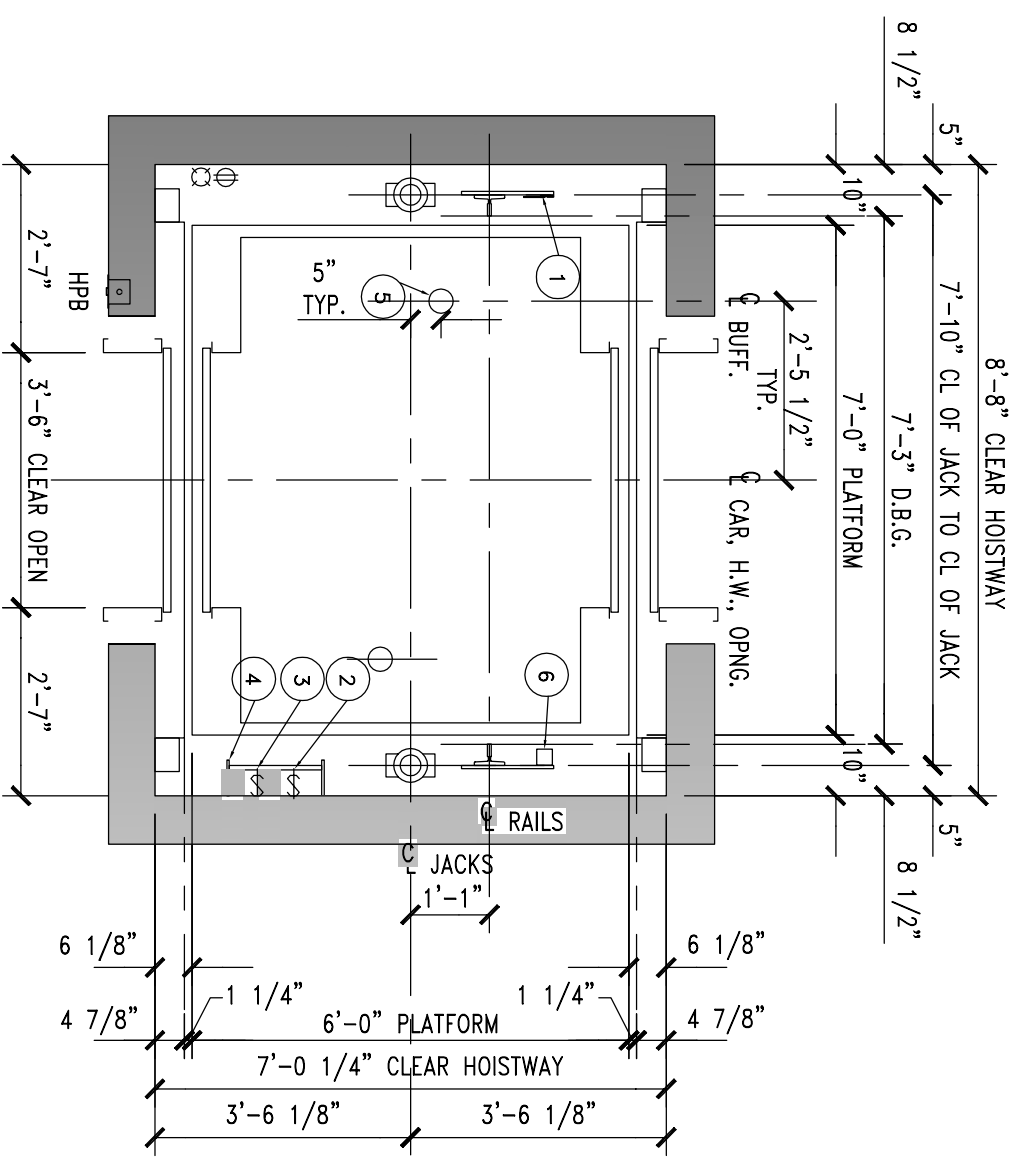
# HOISTWAY SECTION



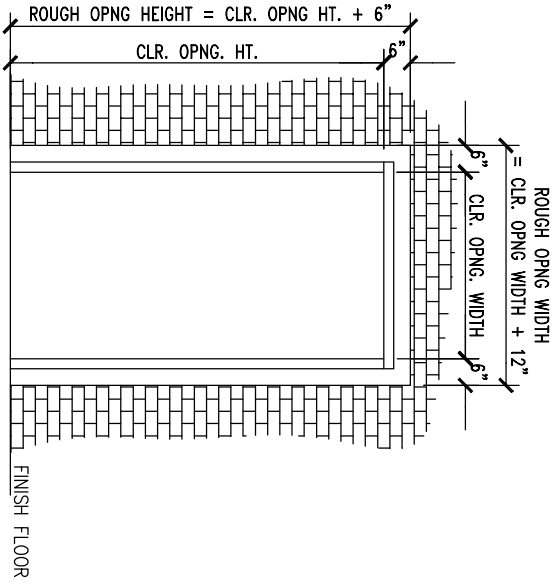
SAFETY BEAM 5000 LBS. CAPACITY (BY OTHERS) CENTERED OVER RAILS AT TOP OF HOISTWAY. MAY REQUIRE REMOVAL LATER FOR LEGAL OVERHEAD.

SEE HOLELESS ELEVATOR MIN OVERHEAD MATRIX.

CONSULT LOCAL SALES OFFICE IF TRAVEL > 15 FT.



# HOISTWAY PLAN



ROUGH OPENING FOR ENTRANCE INSTALLATION  
 CMU, CONCRETE CONSTRUCTION ONLY;  
 ROUGH OPENING IS NOT REQUIRED FOR  
 DRY WALL CONSTRUCTION

- 1 TAPE SELECTOR
- 2 LIGHT SWITCH-18" ABOVE LOWEST LANDING (BY OTHERS)
- 3 PIT STOP SWITCH
- 4 PIT LADDER ( BY OTHERS )
- 5 SPRING BUFFERS LOCATED ON PIT FLOOR
- 6 LIMIT SWITCH

PLEASE NOTE THAT THESE RAIL REACTION NUMBERS ARE ESTIMATES AND ARE SUBJECT TO CHANGE AS ACCURATE INFORMATION BECOMES AVAILABLE.

SPECIFICATION			
USAGE	PASSENGER		
LOADING CLASS	A		
CAPACITY (LBS.)	3000		
RATED SPEED (FPM)	100,125		
RISE	MAX. 15'-0"		
RAIL REACTION (SEISMIC)			
MAX. RAIL BRKT SPAN	14'-0"		
R1 (LBS.)	1800		
R2 (LBS.)	900		
MAX. RAIL BRKT SPAN (DSA)	9'-0"		
R1 (LBS.)	1700		
R2 (LBS.)	850		
REV.	DATE	BY	REVISIONS

NOTE:  
 WHEN THE EQUIPMENT HAS BEEN RELEASED FOR FABRICATION, ANY CHANGES MADE AFTER APPROVAL WILL RESULT IN ADDITIONAL COST AND COMPLETION TIME.

FOR APPROVAL  
 REVISED FOR APPROVAL  
 FINAL DISTRIBUTION  
 REVISED FINAL DISTRIBUTION

PROJECT: -----  
 ADDRESS: -----  
 CONTRACTOR: -----  
 ARCHITECT: -----  
 CONSULTANT: -----  
 DRAWN: JC DATE: 9/6/13 APPROVER: JC  
 DWG. TITLE: HOISTWAY PLAN & SECTION  
 PROJECT NO.: ----- E1F: 1  
 DRAWING NO.: 101