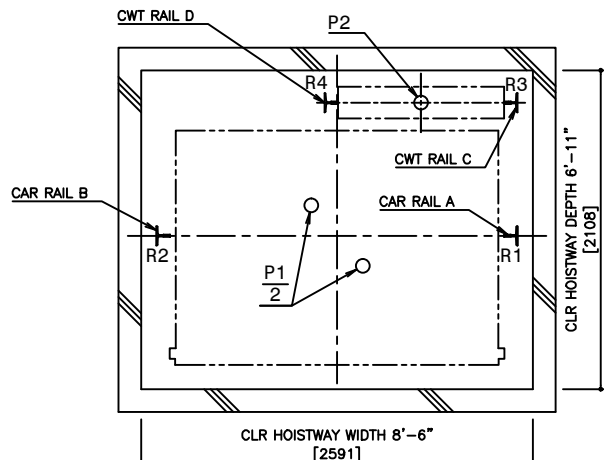
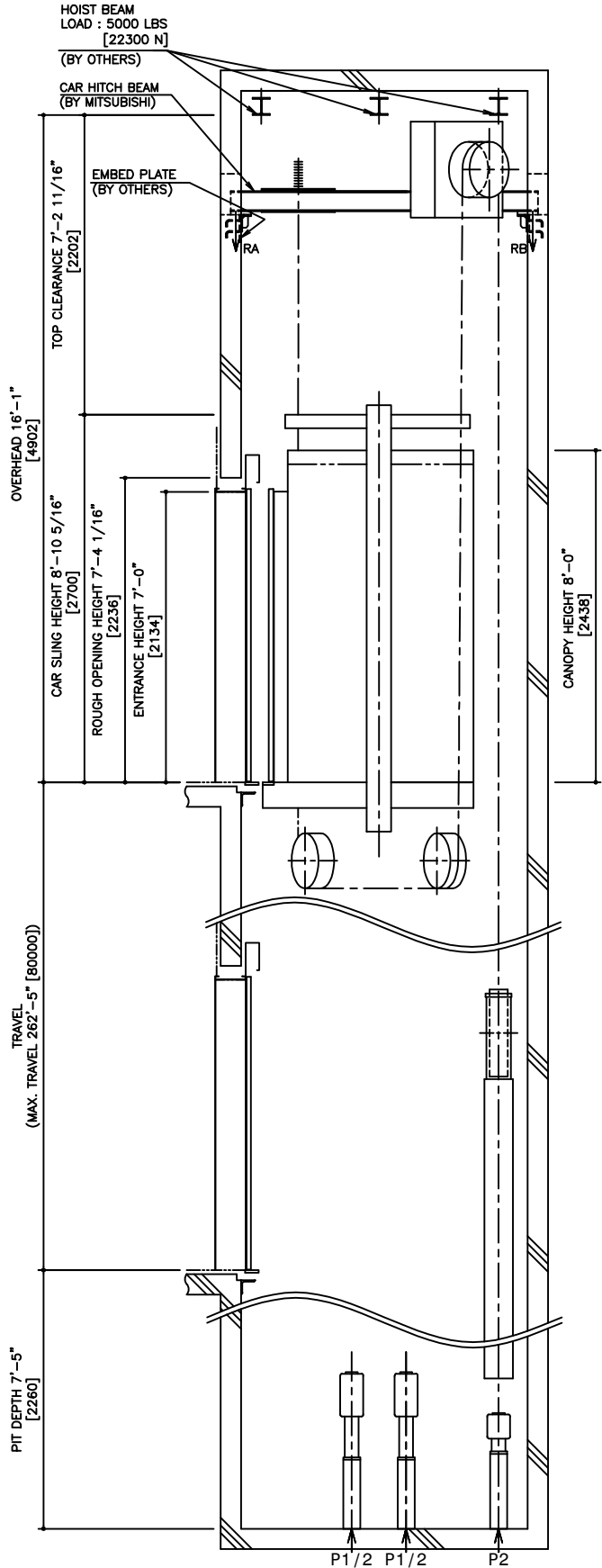


HOISTWAY PLAN  
WITHOUT CWT SAFETY

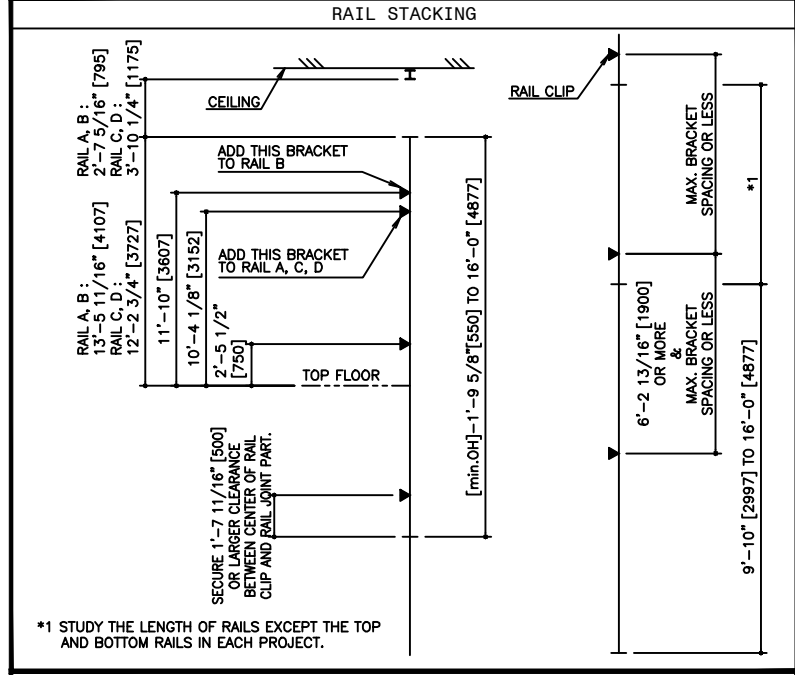


PIT PLAN  
WITHOUT CWT SAFETY



HOISTWAY SECTION  
WITHOUT CWT SAFETY

SPECIFICATIONS			
SERIES	DIAMOND TRAC		
LOAD	2500 LBS [1134 kg]		
SPEED	500 FPM [150 m/min]		
REGULATION / CODE	ASME A17.1 - 2010		
TRAVEL	MAX. TRAVEL : 262'-5" [80 m]		
DOOR TYPE	CO		
GUIDE RAIL	CAR	ZONE 0 TO 2	T127-1/B
	CWT	ZONE 3 & 4	T127-2/B
CWT SAFETY	CAR	ZONE 0 TO 2	T127-1/B
	CWT	ZONE 3 & 4	T127-2/B
CWT SAFETY		NOT APPLIED	



RAIL BRACKET SPACING				
SEISMIC ZONE (RAIL SIZE)	ZONE 0 TO 2 (T127-1/B)		ZONE 3 & 4 (T127-2/B)	
	CAR	CWT	CAR	CWT
RAIL BRACKET SPACING	14'-1 1/4" [4300]	14'-1 1/4" [4300]	11'-1 11/16" [3650]	11'-1 11/16" [3650]

RAIL REACTION LOAD				
SEISMIC ZONE (RAIL SIZE)	CAR RAIL A, B		CWT RAIL C, D	
	F1X	F1Y	F1X	F1Y
ZONE 0 TO 2 (T127-1/B)	1500 LBS [6400 N]	800 LBS [3200 N]	1600 LBS [6900 N]	800 LBS [3500 N]
ZONE 3 & 4 (T127-2/B)	2900 LBS [12700 N]	1500 LBS [6400 N]	3100 LBS [13700 N]	1600 LBS [6900 N]

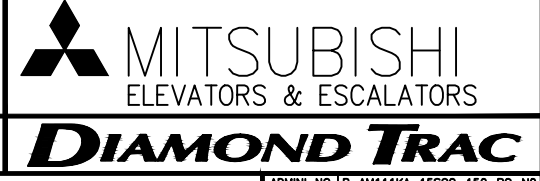
CAR HITCH BEAM LOAD			
STATIC LOAD		DYNAMIC LOAD	
RA	RB	RA	RB
3900 LBS [17000 N]	1200 LBS [5000 N]	7700 LBS [34000 N]	2300 LBS [10000 N]

PIT REACTION LOAD						
SEISMIC ZONE (RAIL SIZE)	RAIL REACTION LOAD				BUFFER REACTION LOAD	
	R1	R2	R3	R4	P1	P2
ZONE 0 TO 2 (T127-1/B)	12900 LBS [57000 N]	12400 LBS [55000 N]	11700 LBS [52000 N]	10800 LBS [48000 N]	38100 LBS [170000 N]	33000 LBS [147000 N]
ZONE 3 & 4 (T127-2/B)	13800 LBS [61000 N]	13300 LBS [59000 N]	12600 LBS [56000 N]	11700 LBS [52000 N]		

POWER FEEDER DATA 1CAR												
MOTOR	STANDARD VOLTAGE 208V				STANDARD VOLTAGE 480V				HEAT EMISSION			
	CURRENT	BREAKER IN CONTROL PANEL		CURRENT	BREAKER IN CONTROL PANEL		POWER SUPPLY CAPACITY	HOISTWAY (EXCEPT CAR LIGHTING)		CONTROL PANEL ROOM		
[HP]	[kW]	FLU [A]	FLAcc [A]	FLU [A]	FLAcc [A]	[A]	[kVA]	[BTU/h]	[W]	[BTU/h]	[W]	
24.1	18	79.4	140.6	100	34.4	61.0	40	17	3410	1000	9380	2750

NO.		DATE	BY	REVISIONS
-	8/12/15	-	CREATED DRAWING	

PROJECT:	-
ELEV. NO.:	-
DWG. TITLE:	-
ADMIN. NO.:	-
DWG. NO.:	EZ-B-0205
REV.:	



**DISCLAIMER:**  
THESE CAD DRAWINGS SHOULD BE USED FOR REFERENCE ONLY. MEUS DISCLAIMS ALL RESPONSIBILITY FOR ANY REPRODUCTION, MODIFICATION, DISTRIBUTION OR INTEGRATION OF THESE CAD DRAWINGS INTO OTHER ARCHITECTURAL AND STRUCTURAL DRAWINGS. MEUS MARKETS NO WARRANTIES OF ANY KIND WITH RESPECT TO THE ACCURACY OR COMPLETENESS OF THESE CAD SCHEMATIC DRAWINGS FOR ANY PURPOSE. MEUS HEREBY EXPRESSLY DISCLAIMS ALL WARRANTIES, EXPRESSED OR IMPLIED, INCLUDING THE IMPLIED WARRANTIES OF MERCHANTABILITY AND FITNESS FOR A PARTICULAR PURPOSE.

Copyright (c) 2005 Mitsubishi Electric & Electronic USA, Inc. All rights reserved.

NOTE :  
-WHEN THE CANOPY HEIGHT IS CHANGED FROM THE DIMENSION ON THIS DRAWING, OVERHEAD AND THE BRACKET SPAN FOR UPPER RAILS SHALL BE CHANGED AS WELL.  
-IF ASME A17.1-2004 APPLIES, ADD 2" [51] TO OVERHEAD AND TOP CLEARANCE.

SCALE : 1/50

NOT TO BE USED FOR CONSTRUCTION