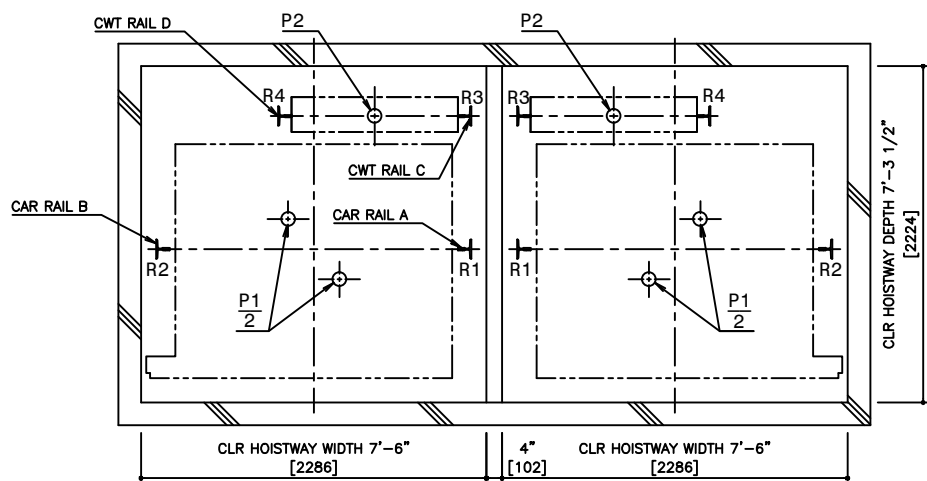
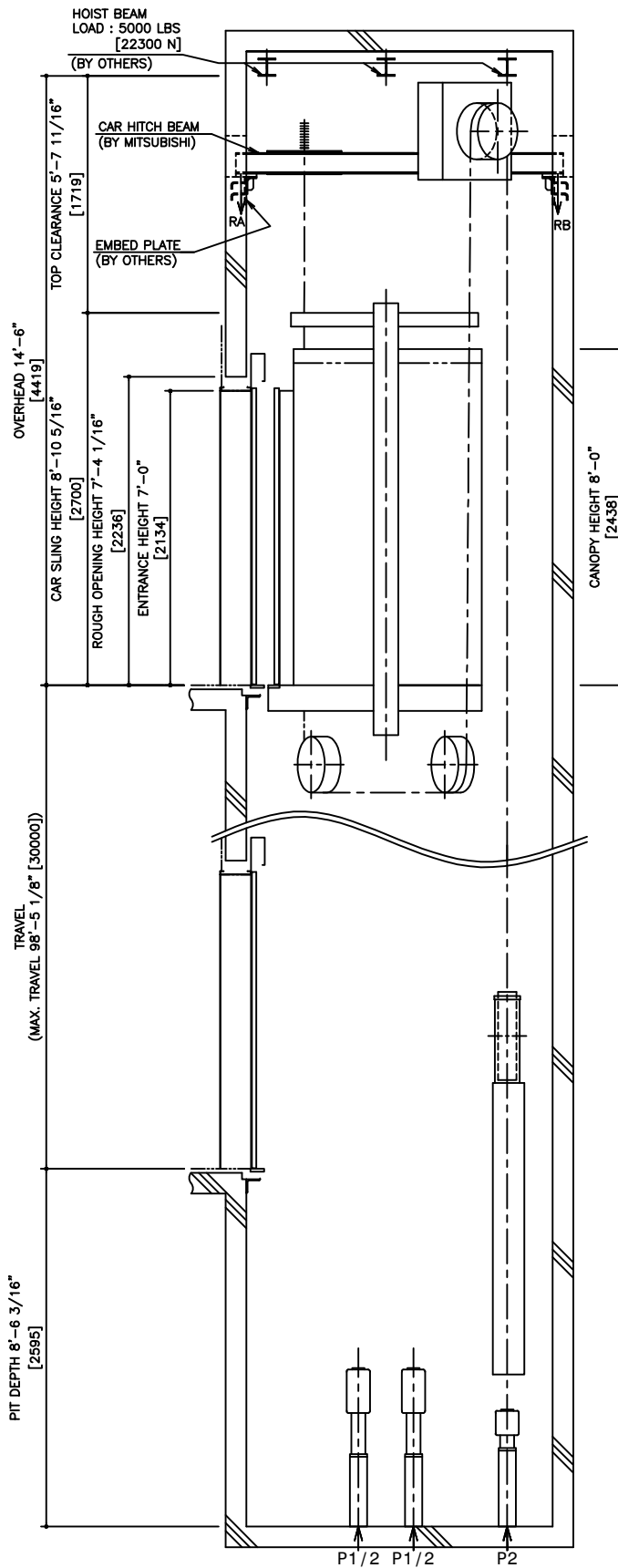


HOISTWAY PLAN WITH CWT SAFETY

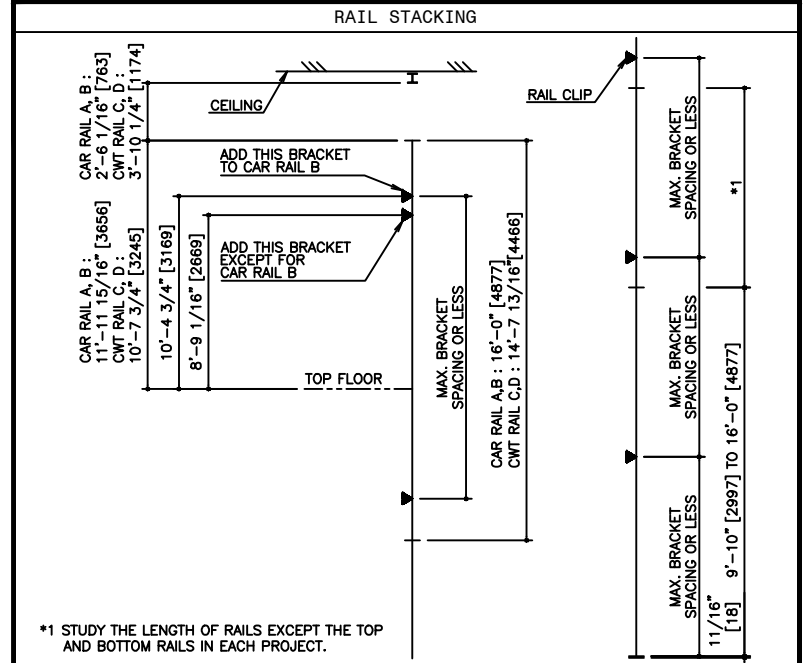


PIT PLAN WITH CWT SAFETY



HOISTWAY SECTION WITH CWT SAFETY

SPECIFICATIONS			
SERIES	DIAMOND TRAC		
LOAD	2000 LBS [900 kg]		
SPEED	350 FPM [105 m/min]		
REGULATION / CODE	ASME A17.1S - 2005		
TRAVEL	MAX. TRAVEL : 98'-5" [30 m]		
DOOR TYPE	SS		
GUIDE RAIL	CAR	ZONE 0 TO 2	T127-1/B
	CAR	ZONE 3 & 4	T127-2/B
CWT SAFETY	CWT	ZONE 0 TO 2	T127-1/B
	CWT	ZONE 3 & 4	T127-2/B
CWT SAFETY	APPLIED		



RAIL BRACKET SPACING				
SEISMIC ZONE (RAIL SIZE)	ZONE 0 TO 2 (T127-1/B)		ZONE 3 & 4 (T127-2/B)	
	CAR	CWT	CAR	CWT
RAIL BRACKET SPACING	15'-9" [4800]	15'-3 1/16" [4650]	12'-11 1/2" [3950]	12'-9 9/16" [3900]

RAIL REACTION LOAD					
SEISMIC ZONE (RAIL SIZE)	CAR RAIL A, B		CWT RAIL C, D		RAIL LOAD DETAIL
	F1X	F1Y	F1X	F1Y	
ZONE 0 TO 2 (T127-1/B)	1200 LBS [5200 N]	600 LBS [2600 N]	1300 LBS [5600 N]	700 LBS [2800 N]	
ZONE 3 & 4 (T127-2/B)	2400 LBS [10400 N]	1200 LBS [5200 N]	2600 LBS [11200 N]	1300 LBS [5600 N]	

CAR HITCH BEAM LOAD			
STATIC LOAD		DYNAMIC LOAD	
RA	RB	RA	RB
3200 LBS [14000 N]	900 LBS [4000 N]	6300 LBS [28000 N]	1800 LBS [8000 N]

PIT REACTION LOAD						
SEISMIC ZONE (RAIL SIZE)	RAIL REACTION LOAD				BUFFER REACTION LOAD	
	R1	R2	R3	R4	P1	P2
ZONE 0 TO 2 (T127-1/B)	9300 LBS [42000 N]	8700 LBS [39000 N]	8700 LBS [39000 N]	8100 LBS [36000 N]	30600 LBS [136000 N]	26600 LBS [118000 N]
ZONE 3 & 4 (T127-2/B)	9700 LBS [43000 N]	9100 LBS [41000 N]	9100 LBS [41000 N]	8500 LBS [38000 N]		

POWER FEEDER DATA 1CAR												
MOTOR	STANDARD VOLTAGE 208V				STANDARD VOLTAGE 480V				HEAT EMISSION			
	FLU [A]	FLAcc [A]	BREAKER IN CONTROL PANEL [A]	CURRENT [A]	FLU [A]	FLAcc [A]	BREAKER IN CONTROL PANEL [A]	POWER SUPPLY CAPACITY [kVA]	HOISTWAY CAPACITY [BTU/Hr]	CONTROL PANEL ROOM [W]		
13.0 [HP]	9.7 [kW]	46	80	75	20	35	30	10	1880	550	4270	1250

NO.	DATE	BY	REVISIONS
-	02/13/07	-	CREATED DRAWING

PROJECT:	-
ELEV. NO.:	-
DWG. TITLE:	-
ADMIN. NO.:	-
DWG. NO.:	EZ-B-0008
REV.	



**DISCLAIMER:**  
 THESE CAD DRAWINGS SHOULD BE USED FOR REFERENCE ONLY. MEUS DISCLAIMS ALL RESPONSIBILITY FOR ANY REPRODUCTION, MODIFICATION, DISTRIBUTION OR INTEGRATION OF THESE CAD DRAWINGS INTO OTHER ARCHITECTURAL AND STRUCTURAL DRAWINGS. MEUS MARKETS NO WARRANTIES OF ANY KIND WITH RESPECT TO THE ACCURACY OR COMPLETENESS OF THESE CAD SCHEMATIC DRAWINGS FOR ANY PURPOSE. MEUS HEREBY EXPRESSLY DISCLAIMS ALL WARRANTIES, EXPRESSED OR IMPLIED, INCLUDING THE IMPLIED WARRANTIES OF MERCHANTABILITY AND FITNESS FOR A PARTICULAR PURPOSE.  
 Copyright (c) 2005 Mitsubishi Electric & Electronic USA, Inc. All rights reserved.

NOTE :  
 WHEN THE CANOPY HEIGHT IS CHANGED FROM THE DIMENSION ON THIS DRAWING, OVERHEAD AND THE BRACKET SPAN FOR UPPER RAILS SHALL BE CHANGED AS WELL.

SCALE : 1/50

NOT TO BE USED FOR CONSTRUCTION